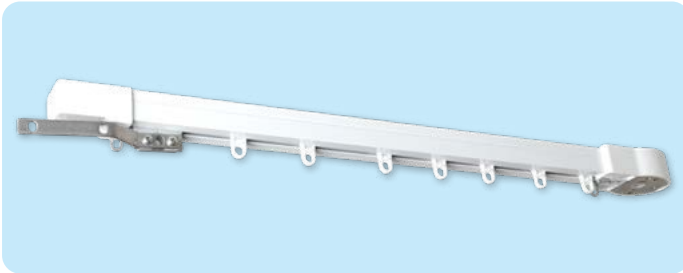


Motorised Curtain Tracks

The Motolux Curtain Track offers a simple, fully integrated motorisation solution for combining Motorised curtains with almost every type of Motorised window covering. It is suitable for commercial and residential use. The Motolux Curtain Track system uses a motor end and compact idle end for improved appearance.

**5 YEAR
MANUFACTURER
WARRANTY**



STANDARD HEADING (pleated)	S- FOLD HEADING
Standard runner count - 13 per meter	S-fold runner count - 60mm between runners
One way: Single overlap arm with 'S' shape Centre open: Overlap and underlap arm carriers with 'S' shape	One way: Single overlap arm Centre open: 2 butting master
Wheeled runners as standard	Wheeled runners as standard

General Track Information for Both Standard and S-Fold Headings:

- Track colours - White and Black
- Motor head and compact idler available in White and Black
- Soft tempered aluminum track which is bendable with a minimum 350mm radius
- Max track length one piece 5.5m
- Max track length with joins up to 15m
- Return Clips - Yes supplied as standard
- Wheeled Runners as standard
- Tandem Motor option - Yes, recommended for lengths from 8.5m (subject to fabric weight)
- Available as Hand Drawn option on request
- Option for inverted motor - yes for installation in ceiling
- All tracks available made to measure
- Component sets available

Compatible Motors:



PART #	DESCRIPTION
592411000	DC Motolux Motor with Rechargeable Battery pack
592130000	Motolux Hybrid 240V AC

Motolux creates world-class motorisation products and systems, dedicated to window covering markets worldwide. Designed to enable fully integrated motorisation solutions, Motolux products are suitable for commercial or residential use. Our product range is streamlined to simplify the process of manufacturing, installation and ongoing maintenance of all major types of motorised window covering products.

REVISION 1 - 2021

MOTOLUX

Ordering Information
Australia / New Zealand

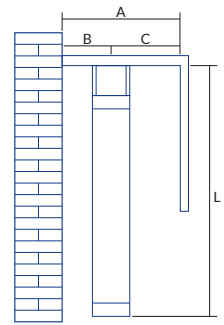
61 (0)3 9876 0400
sales@motolux.com.au
www.motolux.com.au

Motorised Curtain Tracks - S-Fold

**5 YEAR
MANUFACTURER
WARRANTY**

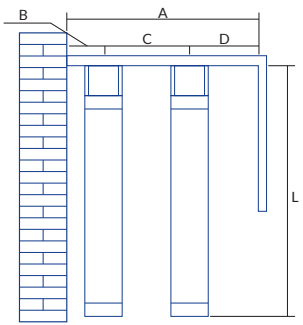


Clearance required from Bulkhead



Clearance required for single track mounting inside ceiling recess/pelmet:

S-Fold Tape		
	107mm	125mm
A	150mm	170mm
B	75mm	85mm
C	75mm	85mm
L		
Battery Motor	315mm	
240V Hybrid	340mm	



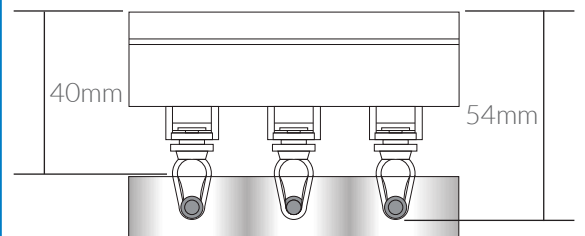
Clearance required for double track mounting inside ceiling recess/pelmet:

S-Fold Tape		
	107mm	125mm
A	300mm	340mm
B	75mm	85mm
C	150mm	170mm
D	75mm	85mm
L		
Battery Motor	315mm	
240V Hybrid	340mm	

Additional Hook Points Required for S-Fold in Addition to the Runners:
107mm tape = 80% Fullness | 125mm tape = 100% Fullness

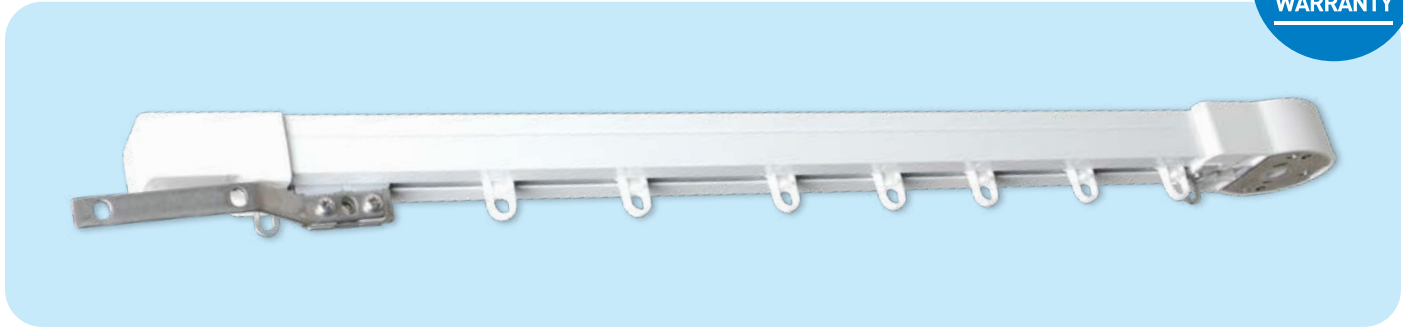
Single Motor	Additional Hook Points
80% Fullness One Way	6
80% Fullness Centre Open	
Motor End	6
Idle End	6
100% Fullness One Way	5
100% Fullness Centre Open	
Master Motor End	4
Slave Motor End	4
Duplex Motor	Additional Hook Points
80% Fullness Centre Open	
Master Motor End	5
Slave Motor End	5
100% Fullness Centre Open	
Master Motor End	4
Slave Motor End	4

Top of Track to Eye of Runner Measurement
(for supplied Blindware S-fold tapes)



Motolux creates world-class motorisation products and systems, dedicated to window covering markets worldwide. Designed to enable fully integrated motorisation solutions, Motolux products are suitable for commercial or residential use. Our product range is streamlined to simplify the process of manufacturing, installation and ongoing maintenance of all major types of motorised window covering products.

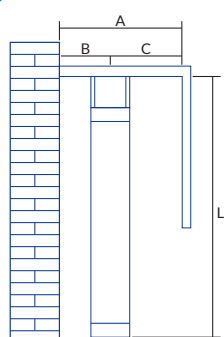
Motorised Curtain Tracks - Standard Heading (Pleated/Gathered)



Clearance required from Bulkhead

Sample measurements only, each curtain will have its own measurements (depending on the fabric used etc).

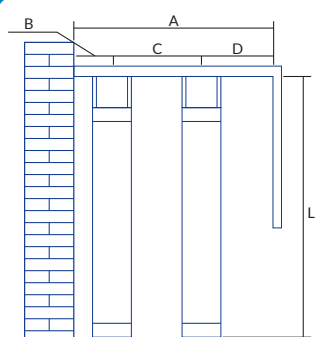
Clearance required for single track mounting inside ceiling recess/pelmet:



A	170mm
B	70mm
C	100mm

	L
Battery Motor	315mm
240V Hybrid	340mm

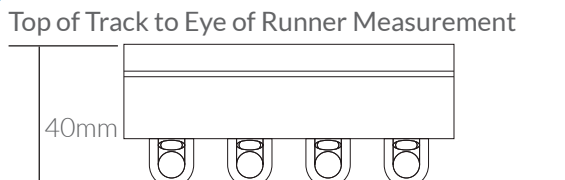
Clearance required for double track mounting inside ceiling recess/pelmet:

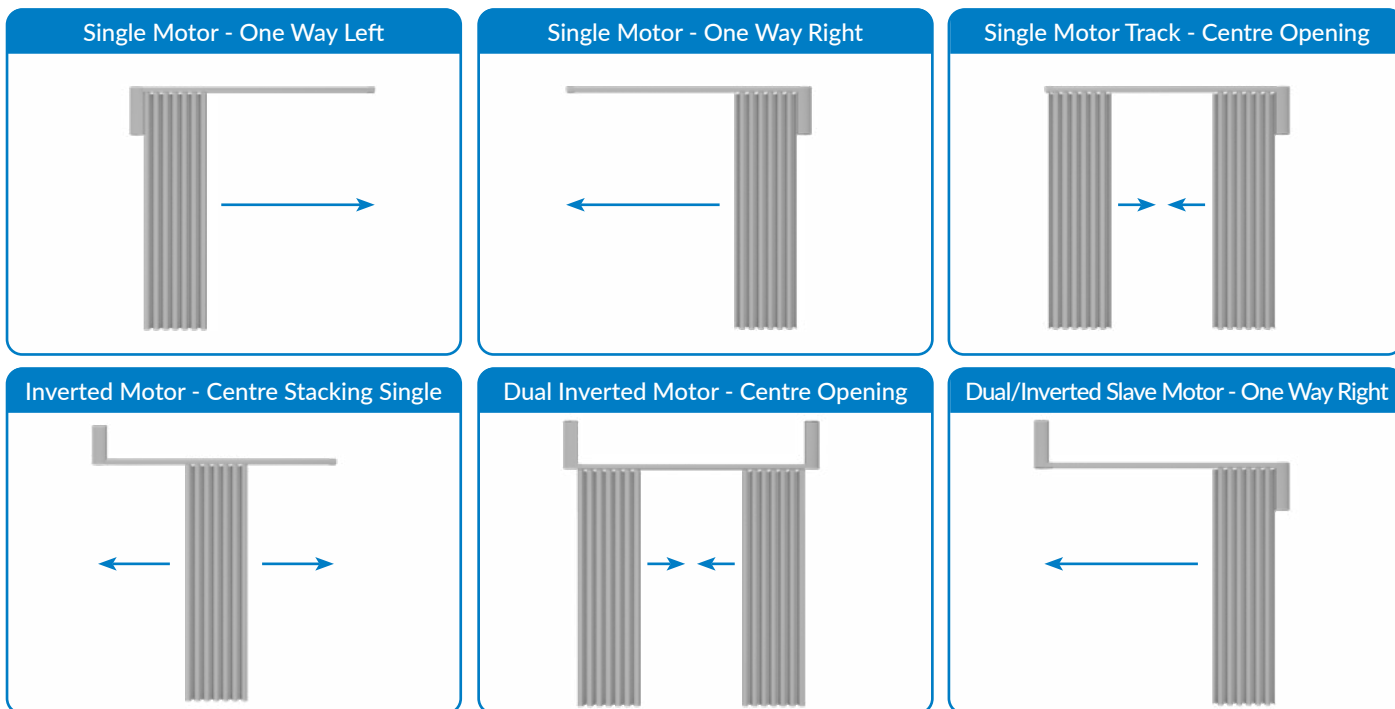


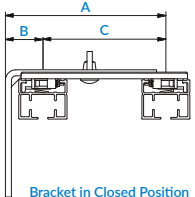
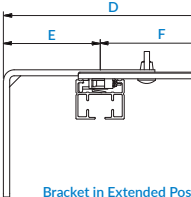
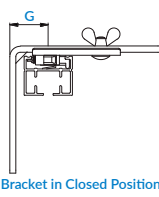
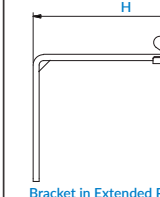
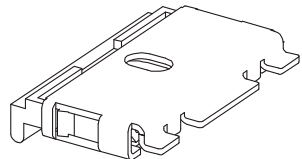
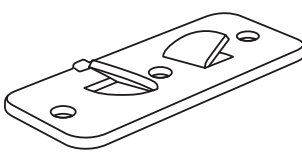
A	220mm
B	70mm
C	100mm
D	50mm

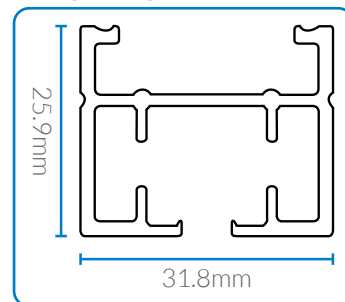
	L
Battery Motor	315mm
240V Hybrid	340mm

Top of Track to Eye of Runner Measurement



Motorised Curtain Tracks
**5 YEAR
MANUFACTURER
WARRANTY**
A Sample Of Configurations Available

COMPONENTS - Available in Black and White

Face Fix Double		Face Fix Single	
			
594221xxx-25 xxx - 001 White xxx - 890 black		594220xxx-50 xxx - 001 White xxx - 890 black	
A 106mm overall	D 145mm overall	G 25mm	H 123mm
B 25mm	E 64mm		
C 81mm	F 81mm		
Top Fix Spring Fit		Top Fix Butterfly	
			
Concealed for Ceiling Fixing		Used Under Pelmet or Recesses	
594120000		594110xxx-100 xxx - 001 White xxx - 890 black	

TRACK PROFILE


Motolux creates world-class motorisation products and systems, dedicated to window covering markets worldwide. Designed to enable fully integrated motorisation solutions, Motolux products are suitable for commercial or residential use. Our product range is streamlined to simplify the process of manufacturing, installation and ongoing maintenance of all major types of motorised window covering products.

REVISION 1 - 2021

MOTOLUX
 Ordering Information
 Australia / New Zealand
 61 (0)3 9876 0400
 sales@motolux.com.au
 www.motolux.com.au